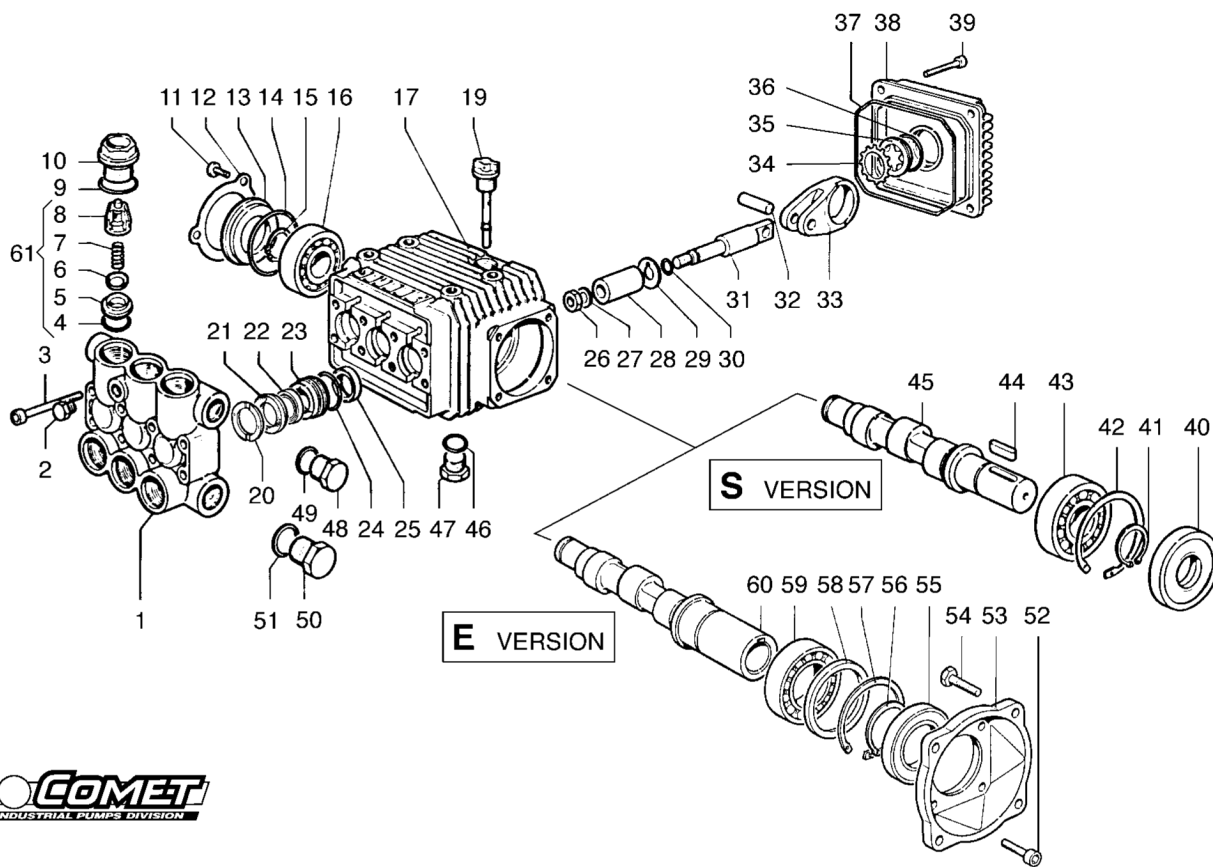


# LWS VERSION - 1750 RPM



ITEM	PART No.	KIT	DESCRIPTION	Qty.	MODELS
1	3218.0105.00		MANIFOLD Ø 18 mm ALUM.	1	3010 S - 3010 E 3508 S - 4007 S
	3218.0106.00		MANIFOLD Ø 15 mm ALUM.	1	2010 S - 2010 E
	3218.0107.00		MANIFOLD Ø 18 mm BRASS	1	3010 S - 3010 E 3015 S - 3020 S 3020 E - 3025 S 3508 S - 3513 S 3517 S - 3525 S 4007 S - 4015 S 4020 S
	3218.0108.00		MANIFOLD Ø 15 mm BRASS	1	2010 S - 2010 E 2015 S - 2015 E 2020 S - 2020 E
2	3202.0018.00		CAP G1/8	1	
3	3609.0108.00		SCREW M6X55	8	2010 S - 2010 E 2015 S - 2015 E 2020 S - 2020 E 3010 S - 3010 E 3015 S - 3020 S 3020 E - 3508 S 3513 S - 3517 S 4007 S - 4015 S
	3609.0152.00		SCREW M6X55	8	3025 S - 3525 S 4020 S
4	1210.0046.00	A-D	O-RING 2,62X 17,13 mm	6	
5	3009.0087.00	A	VALVE SEAT	6	
6	3604.0017.00	A	VALVE PLATE	6	
7	1802.0177.00	A	SPRING	6	
8	1205.0025.00	A	VALVE GUIDE	6	
9	1210.0048.00	A-D	O-RING 2,62X 20,24 mm	6	
10	3202.0155.00		CAP	6	
11	3609.0088.00		SCREW M5X10	3	
12	1004.0012.00		CRANKCASE COVER	1	
13	0402.0172.00		SPACER	1	
14	1210.0386.00	D	O-RING 3,53X44,04 mm	1	
15	3019.0011.00		SNAP RING	1	
16	0438.0066.00		BALL BEARING 20X52X15 mm	1	2010 S - 2010 E 2015 S - 2015 E 2020 S - 2020 E 3010 S - 3010 E 3015 S - 3020 S 3020 E - 3508 S 3513 S - 3517 S 4007 S - 4015 S
	0438.0069.00		BALL BEARING 20X52X15 mm	1	3025 S - 3525 S 4020 S

ITEM	PART No.	KIT	DESCRIPTION	Qty.	MODELS
17	0403.0128.00		CRANKCASE	1	
19	3200.0051.00		OIL DIPSTICK	1	
20	0009.0193.00	B	HEAD RING Ø18 mm	3	3010 S - 3010 E 3015 S - 3020 S 3020 E - 3025 S 3508 S - 3513 S 3517 S - 3525 S 4007 S - 4015 S 4020 S
	0009.0196.00	B	HEAD RING Ø15 mm	3	2010 S - 2010 E 2015 S - 2015 E 2020 S - 2020 E
21	1241.0034.00	B	PACKING Ø15 mm	3	2010 S - 2010 E 2015 S - 2015 E 2020 S - 2020 E
	1241.0035.00	B	PACKING Ø18 mm	3	3010 S - 3010 E 3015 S - 3020 S 3020 E - 3025 S 3508 S - 3513 S 3517 S - 3525 S 4007 S - 4015 S 4020 S
22	1241.0030.00	B	PACKING 15X22X5,5 mm	3	2010 S - 2010 E 2015 S - 2015 E 2020 S - 2020 E
	1241.0028.00	B	PACKING 18X25X5,5 mm	3	3010 S - 3010 E 3015 S - 3020 S 3020 E - 3025 S 3525 S - 3508 S 3513 S - 3517 S 4007 S - 4015 S 4020 S
23	0009.0198.00		PACKING RETAINER Ø15 mm	3	2010 S - 2010 E 2015 S - 2015 E 2020 S - 2020 E
	0009.0197.00		PACKING RETAINER Ø18 mm	3	3010 S - 3010 E 3015 S - 3020 S 3020 E - 3025 S 3525 S - 3508 S 3513 S - 3517 S 4007 S - 4015 S 4020 S
24	1210.0223.00	B-D	O-RING 1,78X26,7 mm	3	
25	0019.0095.00	D	OIL SEAL 15X24X5 mm	3	
26	0600.0048.00	C	NUT	3	
27	2811.0080.00	C	WASHER 8,2X14X1,5 mm	3	